

Ignition Module IM 4

www.bosch-motorsport.com



BOSCH
Invented for life



- ▶ Max. 4 cylinders
- ▶ 54 g
- ▶ Fits to all MS 4 ECUs
- ▶ Especially adapted for Coil P, 2x2 and 2x1

This module is an external ignition power stage capable of supplying up to four non-transistorized ignition coils.

The IM input signal should be supplied by an ECU with ignition signal outputs in the range of 10 to 20 mA, e.g. MS 4 Sport.

The IM unit combines the robustness of a high quality production part with good electrical performance to provide an ideal solution for adapting non-transistorized coils to an ECU without internal ignition driver stages.

Application

Primary current	≤ 8.5 A
Clamp voltage	380 V ± 30 V
Operating temperature range at measuring point	-40 to 120°C
Storage temperature range	-40 to 130°C
Max. vibration	400 m/s ² at 5 to 2,500 Hz

Technical Specifications

Mechanical Data

Size	70.5 x 68 x 20 mm
Weight w/o wire	54 g
Mounting	2 x M4 screws with spring washer

Electrical Data

U _{Batt} typical	13.5 V
Voltage supply	6 to 16.5 V
I _B high active on	min. 10 mA
I _B low off	0 mA
I _B	10 to 22 mA
I _C typical	< 8.5 A
I _C max. at T _U < 120°C	< 10 A
U _{CE} satt at I _C = 5 A	< 3 V
U _{CE} satt at I _C max	< 9 V

Connectors and Wires

Connector (Coil T1)	Bosch Jetronic 4-pole
Mating connector Jetronic 4-pole	D 261 205 351-01
Pin 1	Collector transistor 4
Pin 2	Collector transistor 3
Pin 3	Collector transistor 2
Pin 4	Collector transistor 1
Connector (ECU)	Bosch Jetronic 5-pole
Mating connector Jetronic 5-pole	D 261 205 352-01
Pin 1	Basis transistor 1
Pin 2	Basis transistor 2
Pin 3	Gnd
Pin 4	Basis transistor 3
Pin 5	Basis transistor 4

Installation Notes

This ignition module can be used with: Coils 2x1, 2x2, 3x2, P35 and PS or comparable coils.

Please ensure that the connectors are safe from water.

The IM has to be mounted onto a cooling body. The mounting surface needs a planarity of 0.2 mm.

A heat conductive paste has to be used.

This ignition module is designed for use with engine control units which have no integrated ignition transistor.

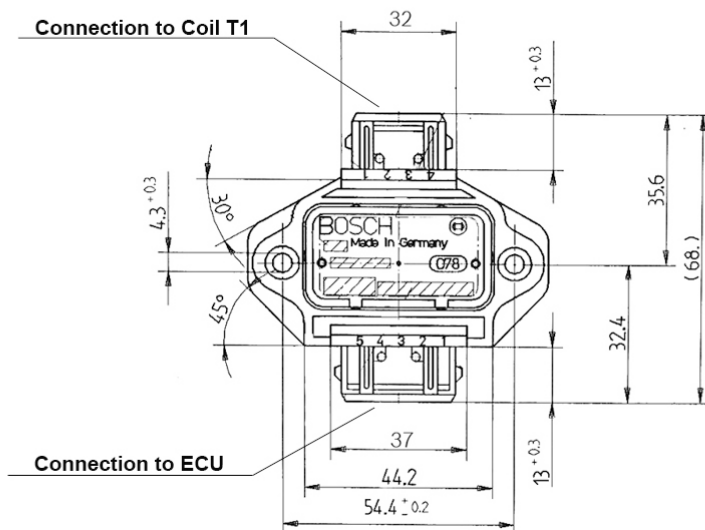
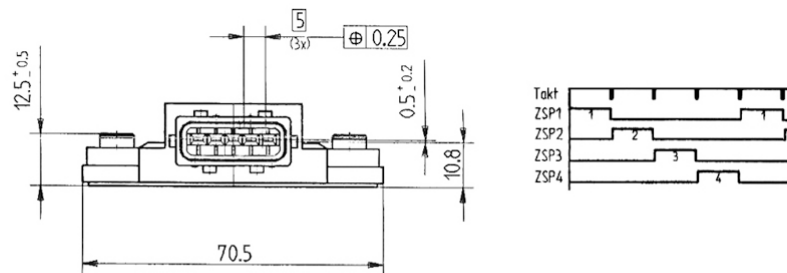
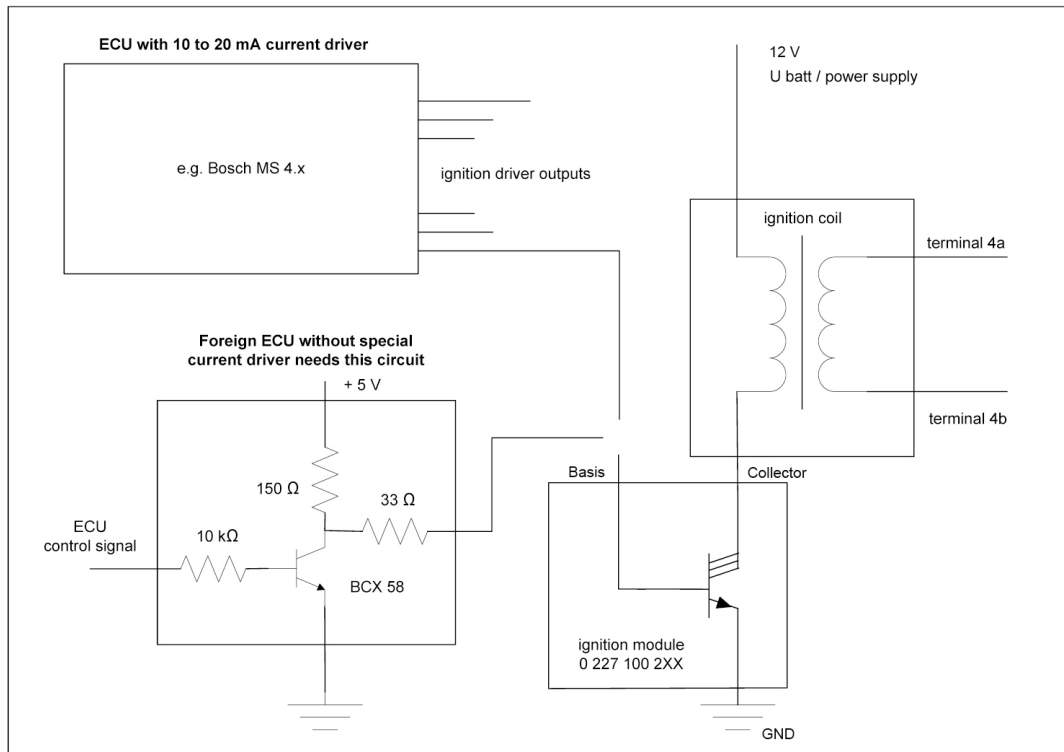
Please observe the specified limit values.

Ordering Information

Ignition Module IM 4

Order number **0 227 100 211**

Dimensions



Represented by:

Europe:

Bosch Engineering GmbH
Motorsport
Robert-Bosch-Allee 1
74232 Abstatt
Germany
Tel.: +49 7062 911 79101
Fax: +49 7062 911 79104
motorsport@bosch.com
www.bosch-motorsport.de

North and South America:

Bosch Engineering North America
Motorsports
38000 Hills Tech Drive
Farmington Hills, MI 48331-3417
United States of America
Tel.: +1 248 876 2977
Fax: +1 248 876 7373
motorsport@bosch.com
www.bosch-motorsport.com

Asia-Pacific:

Bosch Engineering Japan K.K.
Motorsport Department
18F Queen's Tower C, 2-3-5 Minato Mirai
Nishi-ku, Yokohama-shi
Kanagawa 220-6218
Japan
Tel.: +81 45 650 5610
Fax: +81 45 650 5611
motorsport@bosch.com

Australia (New Zealand, ASEAN and India):

Robert Bosch Pty. Ltd
1555 Centre Road
Clayton, Victoria, 3168
Australia
Tel.: +61 (3) 9541 3901
Fax: +61 (3) 9541 7225
motor.sport@au.bosch.com